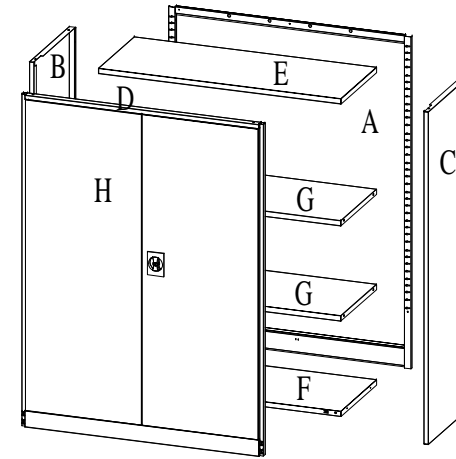


Assemble instruction

G×2



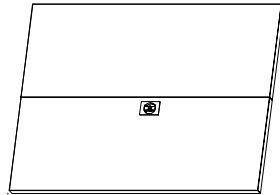
List of carcase parts



A×1



H×1



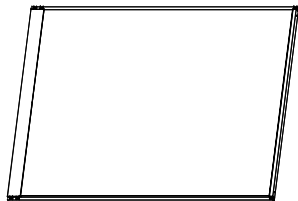
B×1



C×1



D×1



2PCS



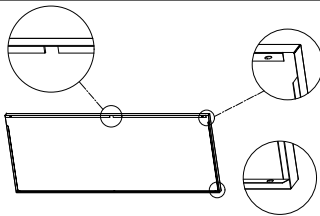
2PCS



2PCS



E×1



M4×8 7PCS



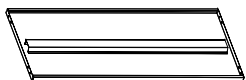
8PCS



8PCS



F×1



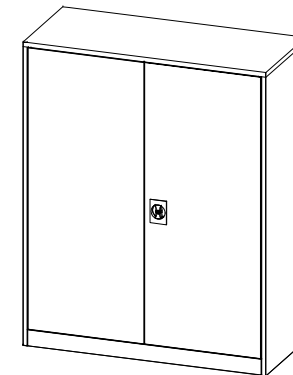
2PCS



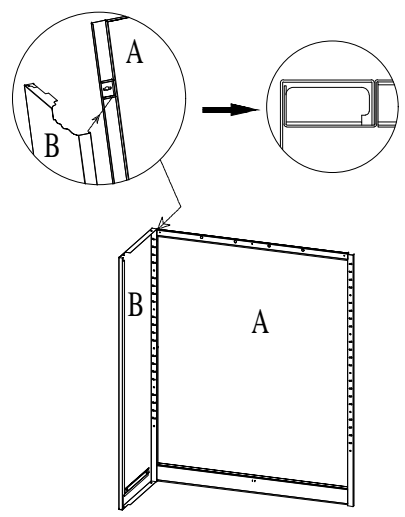
1 Pair



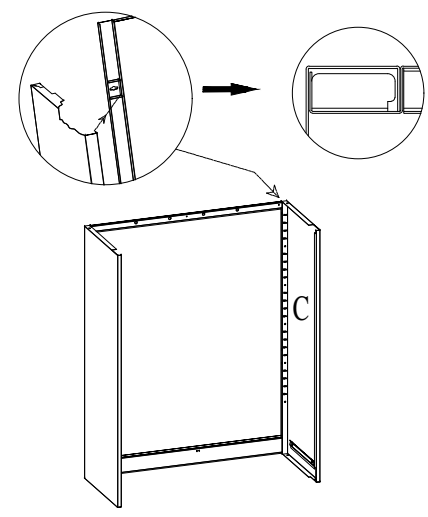
Finish



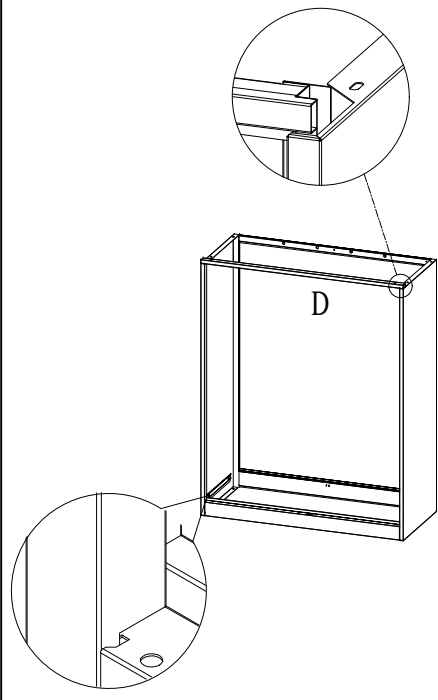
Step 1



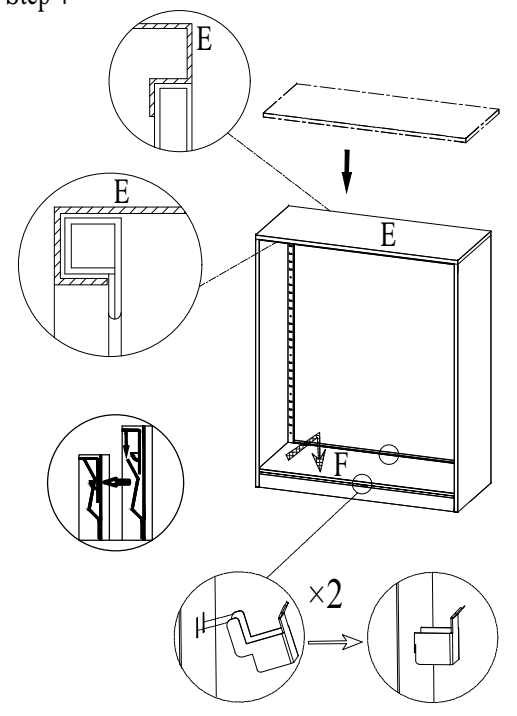
Step 2



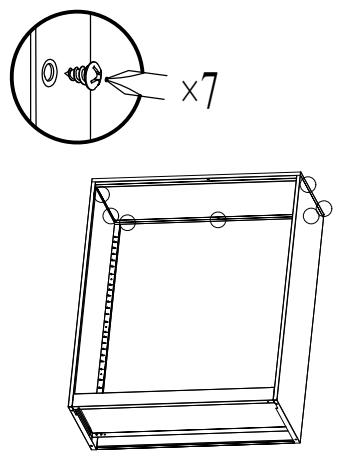
Step 3



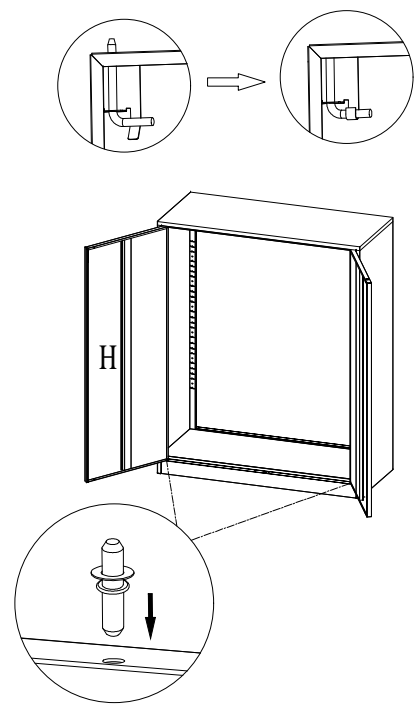
Step 4



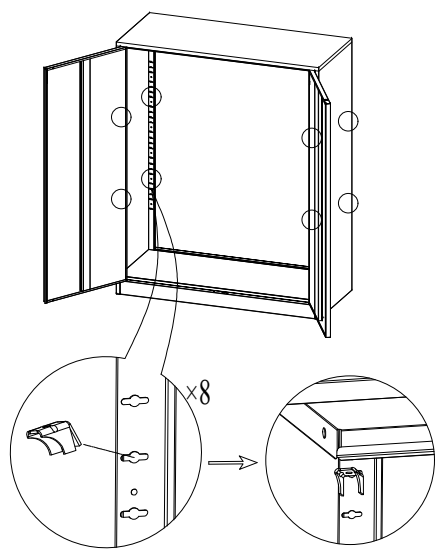
Step 5



Step 6



Step 7



Step 8

