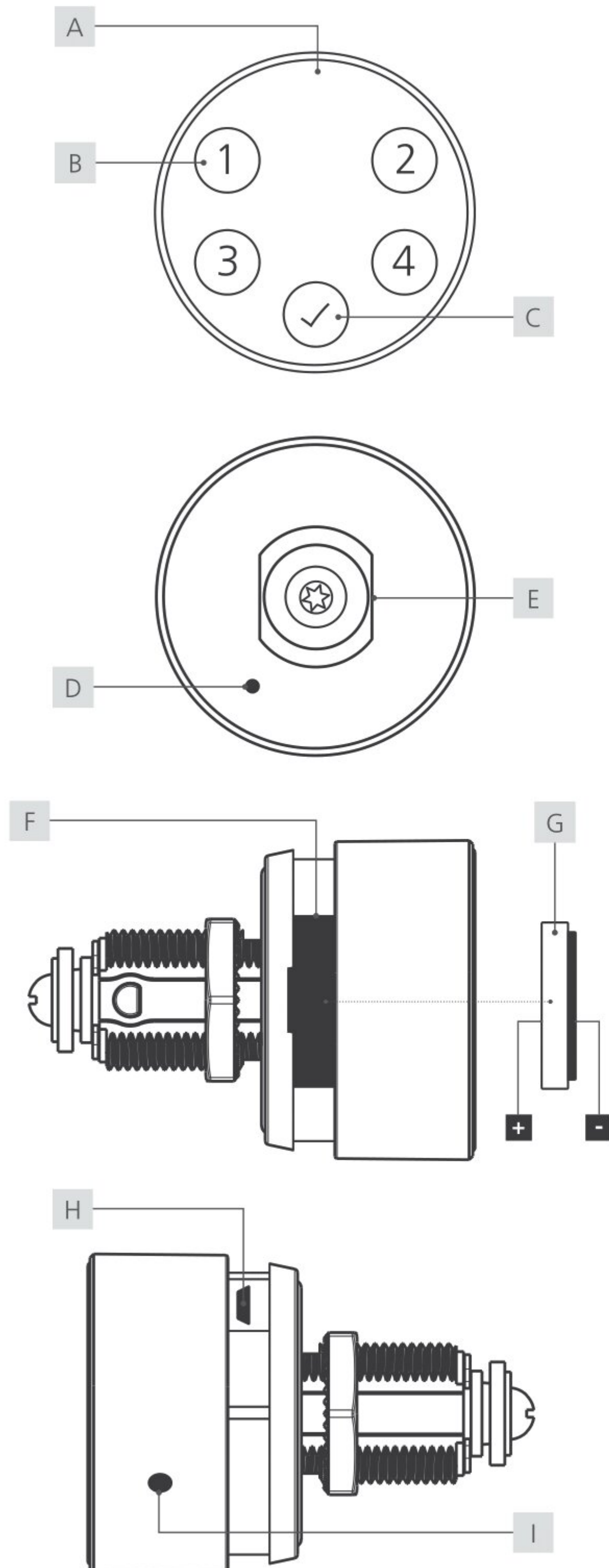




Tron-Code

Operating Manual

Intro.Code



- | | |
|--------------------|-----------------------|
| A LED | B number key |
| C confirmation key | D reset hole |
| E stator | F battery compartment |
| G battery | H micro USB port |
| I closure hole | |

Content

Introduction.....	2
General.....	2
Technical data.....	3
Scope of delivery.....	3
Optional accessories.....	3
Default settings.....	3
Features.....	3
Product dimensions.....	3
Functional description.....	4
Configuration.....	4 - 5
Operation.....	5
Emergency power supply.....	6
Battery replacement.....	6
Reset to default settings.....	6
Disposal and battery note.....	6

Introduction

The **Intro.Code** is the electronic combination code lock for convenient and secure locking of cabinets and valuables compartments.

It can be conveniently used in both wooden and steel furniture. Thanks to its simple operation, the lock makes everyday life easier and shines with its high-quality design and ergonomic handling. Thanks to the easy retrofitting and the flexibly adjustable bolt, the lock easily adapts to any installation situation.

Important: Please observe all warnings and read through the entire operating instructions before you begin with the configuration.

Factsheet

Front view



Back view



Technical Data

Dimension	Ø 43,3 mm
Battery	VARTA ¹ CR2450 (1x)
Locking cycles ¹	3,000
Working temperature	-20° C to 55° C rel. humidity: 10% - 85%
Mode	Multi User Mode, Private Mode
Material	Housing: Zamak Front cap: plastic Cam: steel
Mounting dimension	16 mm x 19 mm
Lock attachment	M19 nut (1x)
Locking direction	Left (90°), door hinge: DIN right
Cam type	B
Max. door thickness	18 mm
Code length	4 to 15 digits
User code (default)	1234
Master Code (default)	4321
No. of Master Codes	max. 1
No. of user codes	max. 1

Scope of Delivery

- 1x locking system
- 1x cam fixing screw² M4 x 8 mm
- 1x washer 12 mm (DIN 9021 M4)
- 1x M19 nut
- cam type B

for single packaging:

- 1x length 53 mm, without crank (1-36 RIH-501 G)
- 1x length 40 mm, crank 3 mm (1-36 RIH-514 K)
- 1x length 40 mm, cranking 6 mm (1-36 RIH-515 K)

for industry packaging: order related

Optional Accessories

- opening and reset pin
- anti-twist protection (W-MSZ-01)

Default Settings

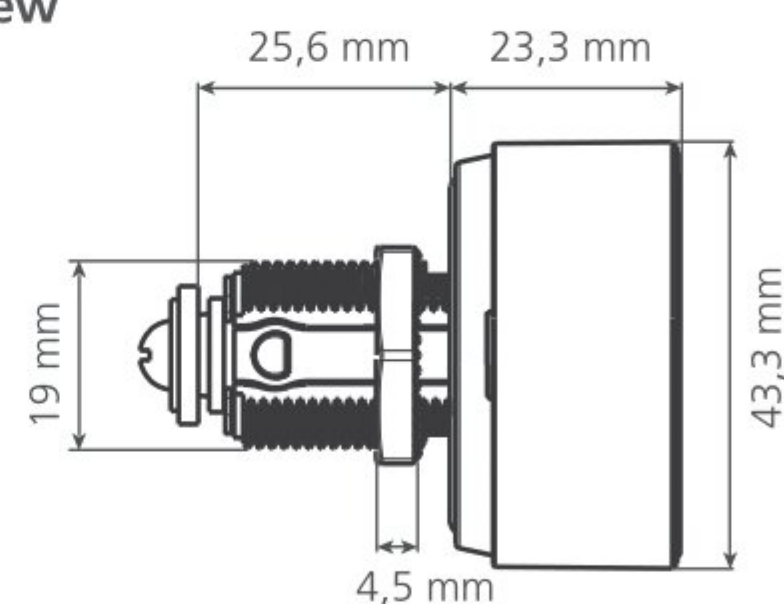
Mode	Private Mode
Fake code function	Off

Features

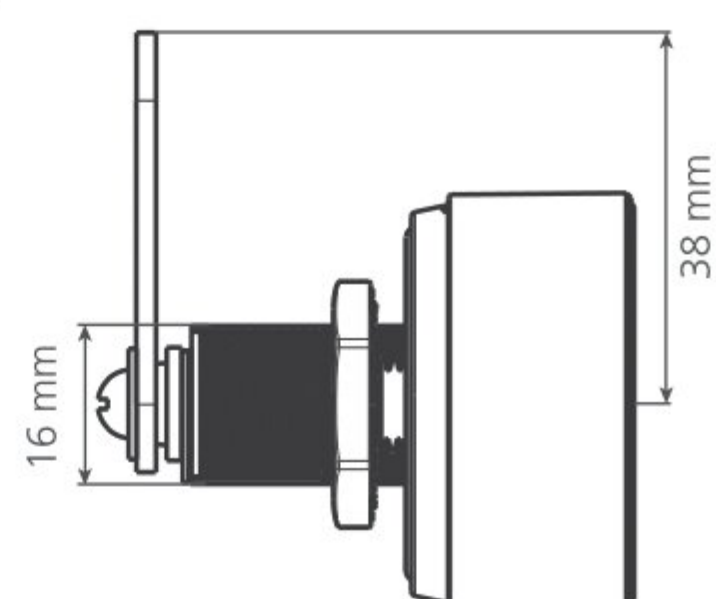
- ergonomic handling and high-quality design
- external battery change
- easy to retrofit, e.g. for replacement of mechanical cam locks
- latch adjustable in 45° steps
- emergency power supply via micro USB port

Product Dimensions

Side view



Top view



¹ The lock is approved for VARTA brand batteries. The use of other batteries may result in a reduced number of possible locking cycles.

² The use of a screw with a different length may cause damage to the lock.

Functional Description

Mode: Fixed Assigned Authorization (Private Mode)

In this mode, a user code is pre-set with which the lock can be operated. This mode is suitable for user groups where user rights do not have to change permanently, e.g. in an office cabinet. The lock is unlocked by entering a stored user code. A non-stored code is rejected by the lock. To unlock, the stored user code is entered. To lock, the knob is turned back (counter-clockwise) until the cam engages.

Mode: Multi User Authorization (Multi User Mode)

This mode is suitable for changing user groups who only use the compartment temporarily or once, e.g. in a sports facility. User codes are valid for a single locking process and are deleted by the lock when the compartment is reopened so that a new user code can be used. The locking bolt remains open until a new user code locks the lock again. To lock, the hook key is pressed and a code of choice is entered. The entry is confirmed with the hook key. The green LED starts flashing. The lock is opened by entering the same code.

LED Locking Indication

When the lock is locked, the green LED flashes briefly every three seconds.

Battery Warning

If the battery voltage falls below a certain level, the LED lights up briefly when the PIN is entered. If the voltage falls into the critical range, the lock can no longer be operated.

Block Mode

If the code is entered incorrectly four times in succession, the lock blocks for 60 seconds. During this time, the lock rejects any code entry.

Fake Code Function

To prevent the code from being copied, a fake code is entered before or after the code entry (maximum 15 digits). This function can be set as an option.

Configuration

1 Change the Mode

a) Multi User Mode

1. Enter Master Code and press ✓. A longer beep and the green LED confirm the successful process.
2. Directly press ✓ and hold the button for 2 seconds. The green LED starts flashing.
3. Press ✓ again. Enter the numbers ④ and ④.
4. Confirm with ✓. A longer beep confirm the successful process.

b) Private Mode (default)

1. Enter Master Code and press ✓. A longer beep and the green LED confirm the successful process.
2. Directly press ✓ and hold the button for 2 seconds. The green LED starts flashing.
3. Press ✓ again. Enter the numbers ④ and ③.
4. Confirm with ✓. A longer beep confirms the successful process.

Note: Changing the mode does not reset the lock to the default setting.

2 Set the Master Code and Code

a) Master Code (Private Mode / Multi User Mode)

1. Enter current Master Code and press ✓. A longer beep and the green LED confirm the successful process.
2. Directly press ✓ and hold the button for 2 seconds. The green LED starts flashing.
3. Enter new Master Code and confirm with ✓. A longer beep and the green LED confirm the successful process.

b) User Code (Private Mode)

1. Enter current user code and press ✓. A longer beep and the green LED confirm the successful process.
2. Directly press ✓ and hold the button for 2 seconds. The green LED starts flashing.
3. Enter new user code and confirm with ✓. A longer beep and the green LED confirm the successful process.

Note: User code and Master Code must not be the same. Only one user code / Master Code can be stored. During the storage process, the old user code or Master Code is overwritten.

c) Reset User Code (Private Mode / Multi User Mode)

To reset the user code, enter the Master Code. Entering the Master Code also unlocks the lock.









Multi User Mode

The active user code is deleted.

Private Mode

The active user code is reset to the default setting (1234).

3 Activate / Deactivate Fake-Code Function

1. Enter Master Code and press . A longer beep and the green LED confirm the successful process.
2. Directly press  and hold the button for 2 seconds. The green LED starts flashing.
3. Press  again.
To activate enter numbers  and .To deactivate enter numbers  and .
4. Confirm with . A longer beep confirm the successful process.

3 Unlock via Master Code


1. Enter Master Code and press . A longer beep and the green LED confirm the successful process.

Note: The lock signals an incorrect Master Code entry with three consecutive beeps. Unlocking by Master Code resets the code to the factory setting (1234) in Private Mode. In Multi User Mode, the code used for locking is deleted.

Operation

1 Private Mode

a) Unlock

1. Enter user code and press . A longer beep and the green LED confirm the successful process.
2. Turn the knob to the right (clockwise) within 3 seconds.



Note: The lock signals an incorrect code entry with three consecutive beeps.

b) Lock


The lock locks automatically within 4 seconds. The red LED flashes briefly. To close, turn the knob to the left (counterclockwise).

2 Mutli User Mode

a) Lock

1. Press . The green LED starts flashing.
2. Enter user code and confirm with . A beep and the red LED confirm the successful process.
3. To lock, turn the knob to the left (counterclockwise).

b) Unlock

1. Enter user code and press . A longer beep and the green LED confirm the successful process.
2. Turn the knob to the right (clockwise) within 3 seconds.

Note: The lock signals an incorrect code entry with three consecutive beeps.

Emergency Power Supply

If the batteries do not have enough voltage, an external power supply can be connected via the micro USB port.

For this, the touchpad has to be connected to a power supply, notebook or power bank via micro USB cable. The lock can then be operated again.

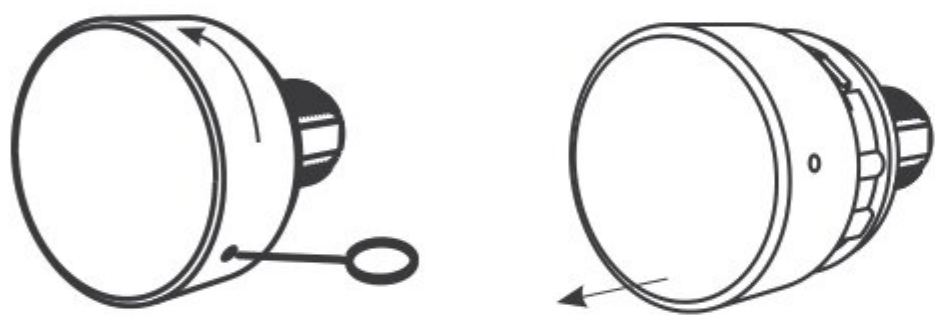
Note: We recommend to replace the batteries immediately.

Battery Replacement

It is recommended to change the battery as soon as the lock indicates a low battery level.

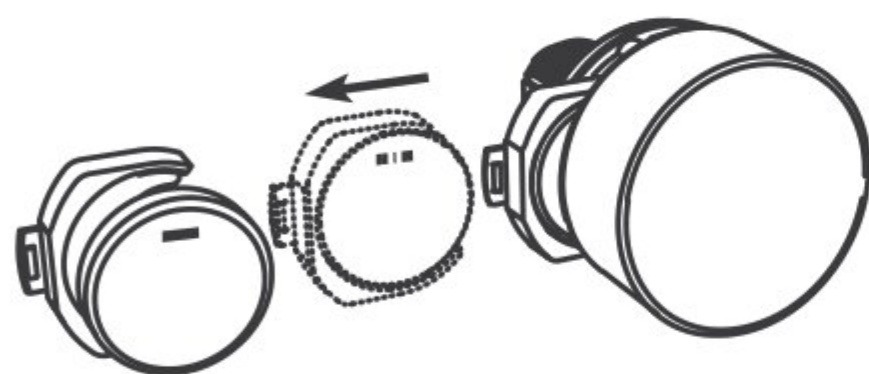
Note: The lock is approved for VARTA brand batteries. The use of other batteries may result in a reduced number of possible locking cycles.

1. Press the reset pin into the closure hole on the side of the lock as shown in the illustration. Turn the housing slightly to the left and pull it forward.



2. Remove the battery compartment as shown in the illustration and replace the battery. Insert the new battery according to the symbols (+ / -) (see page 2).

Note: The surface of the battery must be free of residues and fingerprints, otherwise malfunctions may occur. If the surface is dirty, it must be cleaned with a dry cloth.



3. Carefully push the housing back onto the lock and turn it slightly until it snaps into place.

Reset to Default Settings

To reset the lock, press the reset pin briefly into the reset hole on the back. All stored data will be deleted from the lock.

Important: The reset hole can only be operated in the disassembled state.



Entsorgungs- und Batteriehinweis

EU Directive 2012/19/EU regulates the proper take-back, treatment and recycling of used electronic equipment.

Every consumer is required by law to dispose of batteries, accumulators or electrical and electronic equipment („waste equipment“) powered by batteries or accumulators separately from household waste, as they contain harmful substances and valuable resources. Disposal can be done at a collection or take-back point approved for this purpose, e.g. a local recycling center. Waste equipment, batteries or rechargeable batteries are accepted there free of charge and recycled in an environmentally friendly and resource-saving manner.

Waste equipment, used batteries or rechargeable batteries can also be returned to us. The return must be sufficiently stamped to the address below.

The following symbol on the waste electrical equipment, batteries or accumulators indicates that they must not be disposed of with household waste:



Caution when using batteries!

The battery may explode or release flammable gases if it is mishandled, destroyed, or the wrong type of battery is used. Do not recharge the battery, disassemble it, expose it to extremely high temperatures or throw it into a fire.

On batteries containing harmful substances, you will find indications in the form of abbreviations for the ingredients cadmium (Cd), mercury (Hg) and lead (Pb) in each case.